

### 1 INTRODUCTION:

Thank you for purchasing the GWS 4-Channel Radio System. This unit has been designed and developed using the latest manufacturing technologies and incorporate the finest modern precision electronic components. GWS System are compatible with PPM (FM) System from FUTABA, JR, SANWA/Airtronics and Hi-tec. Please read these instructions carefully in order to obtain safe operation and maximum performance from your GWS System.

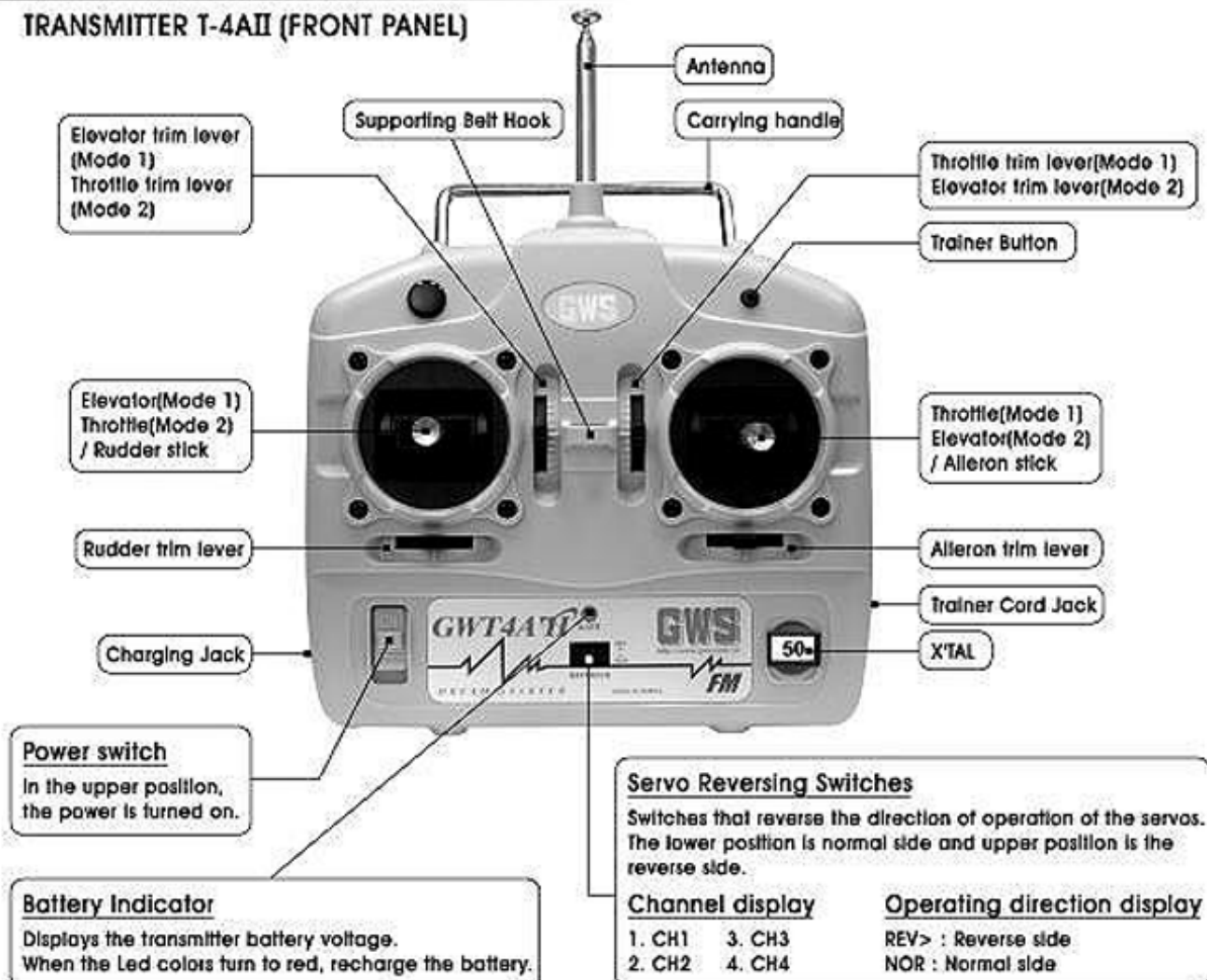
### 2 TRANSMITTER SPECIFICATIONS:

Model Number : GWT-4AII  
 Encoder : 4-Channel  
 Frequency : 35 · 36 · 40 · 41 · 72 · 75MHz  
 Modulation : PPM(FM)  
 Low Battery Indicator : Below 8.8V(LED turn to Red)

RF Output Power : Approximately 250mW  
 Current Drain : 100mA  
 Power Source : 9.6V(1.2Vx8)550mAh(AAA)  
 Ni-MH Battery pack  
 Control Range : 1.5ms ± 0.5ms

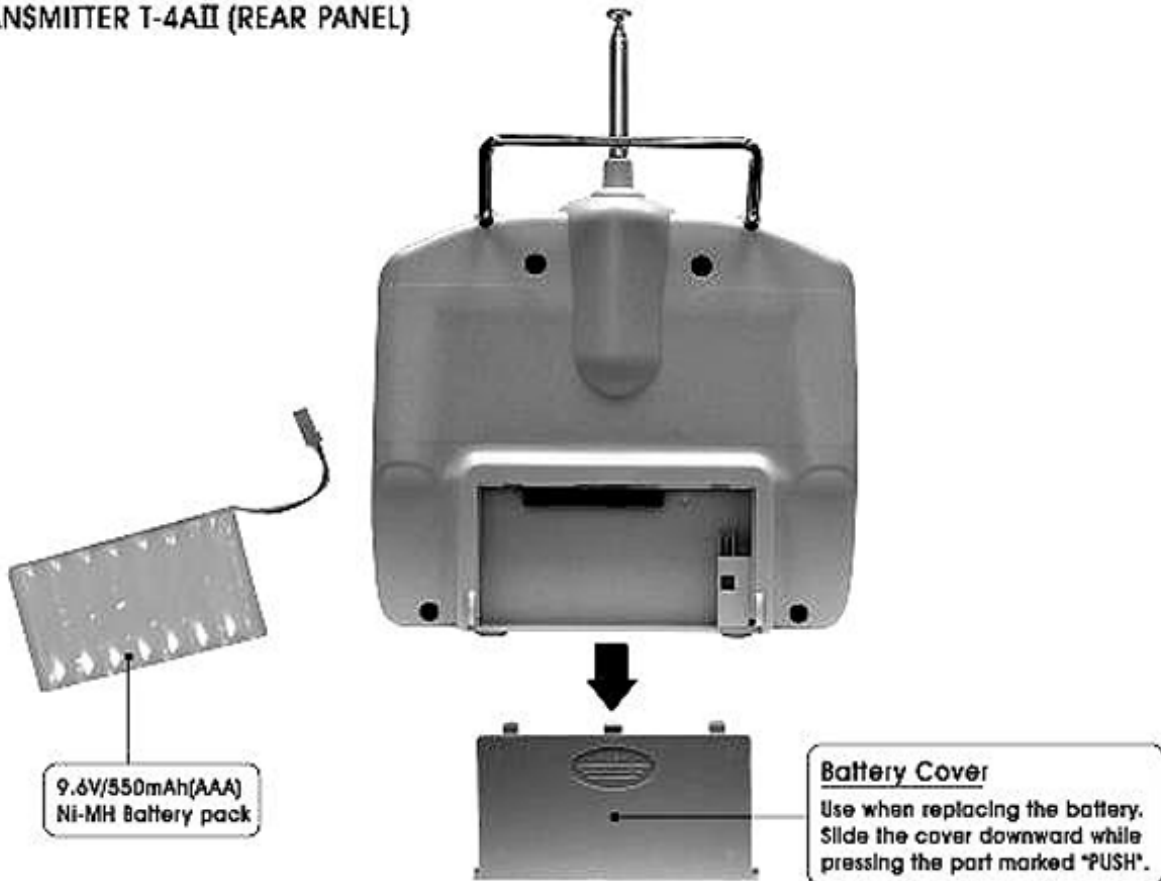
### 3 TRANSMITTER LAYOUT:

#### TRANSMITTER T-4AII (FRONT PANEL)



### GWT-4A II MANUAL

#### TRANSMITTER T-4AII (REAR PANEL)



## 4 TRANSMITTER OPERATION AND MOVEMENT OF EACH SERVO

<p><b>1. Aileron</b></p> <p>(Viewed from the rear)</p> <p>Left</p> <p>Right</p>	<p><b>2. Elevator</b></p> <p>Down</p> <p>Down</p> <p>Up</p> <p>Up</p> <p>(Mode 1)</p> <p>(Mode 2)</p>
<p><b>3. Throttle</b></p> <p>High</p> <p>High</p> <p>Low</p> <p>Low</p> <p>(Mode 1)</p> <p>(Mode 2)</p> <p><b>High</b> Engine throttle lever moves to the high speed side.</p> <p><b>Low</b> Engine throttle lever moves to the low speed side.</p>	<p><b>4. Rudder</b></p> <p>Left</p> <p>Right</p>

### 5 TRAINER FUNCTION SYSTEM:

The trainer function is a very effective way for training students. To use it, the special trainer cord (sold separately) is necessary.

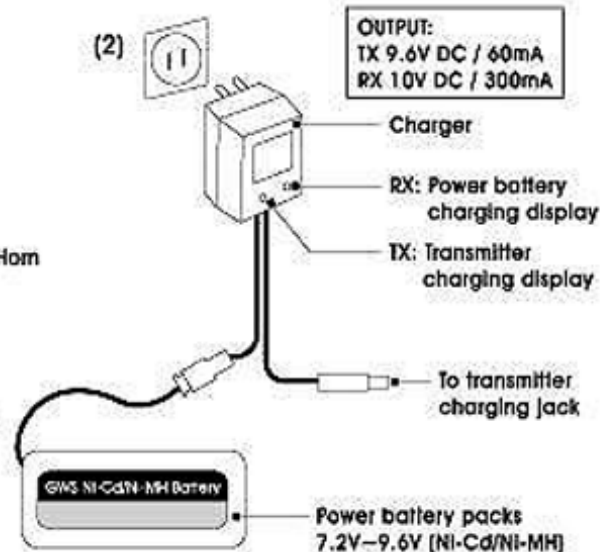
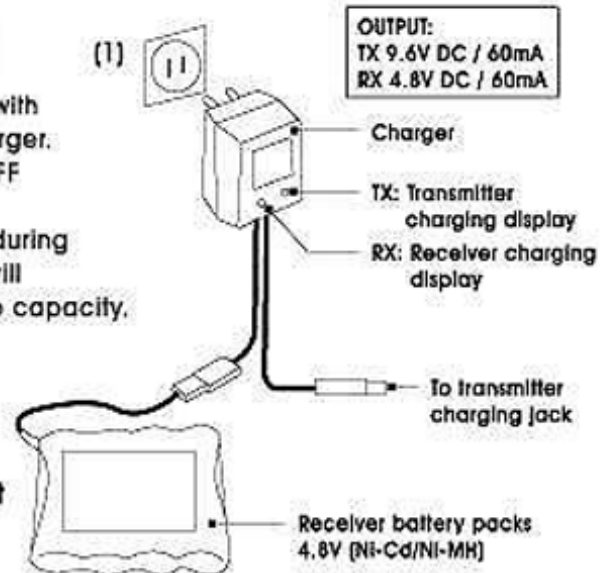
1. Match the servo reversing and trims of both radios.
2. Turn on the power switch of Instructor transmitter and extend the antenna to its full length.  
The student transmitter must be left off, then plug the trainer cord into both transmitters, the student transmitter power indicator will automatically turn on.
3. When the trainer switch is not pressed, the instructor has control, when the trainer switch is pressed, control is transferred to the student.

**Warning :** Never turn on the student transmitter power switch, it will cause interference and a crash.

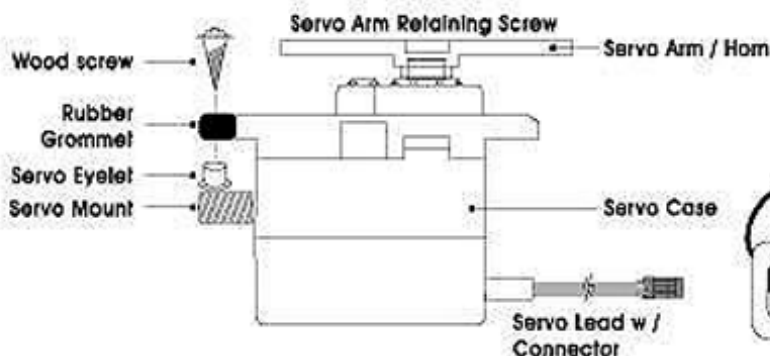
### 6 CHARGING THE BATTERY:

1. Your GWT-4AII Radio System is shipped from the factory with both the transmitter Ni-MH battery pack and wall charger. When charging the battery, place the switch in the OFF position.  
The LED on the battery charger should always be on during the charging operating. Under normal conditions, it will require approximately 15 hours to attain peak charge capacity.
2. Charger for the power battery  
Full charged time : TX9.6V 10~15 hours  
Power battery 8.4V or 9.6V(750mAh) 1.5~2 hours

**Warning :** Do not use the charger for equipment other than GWS.

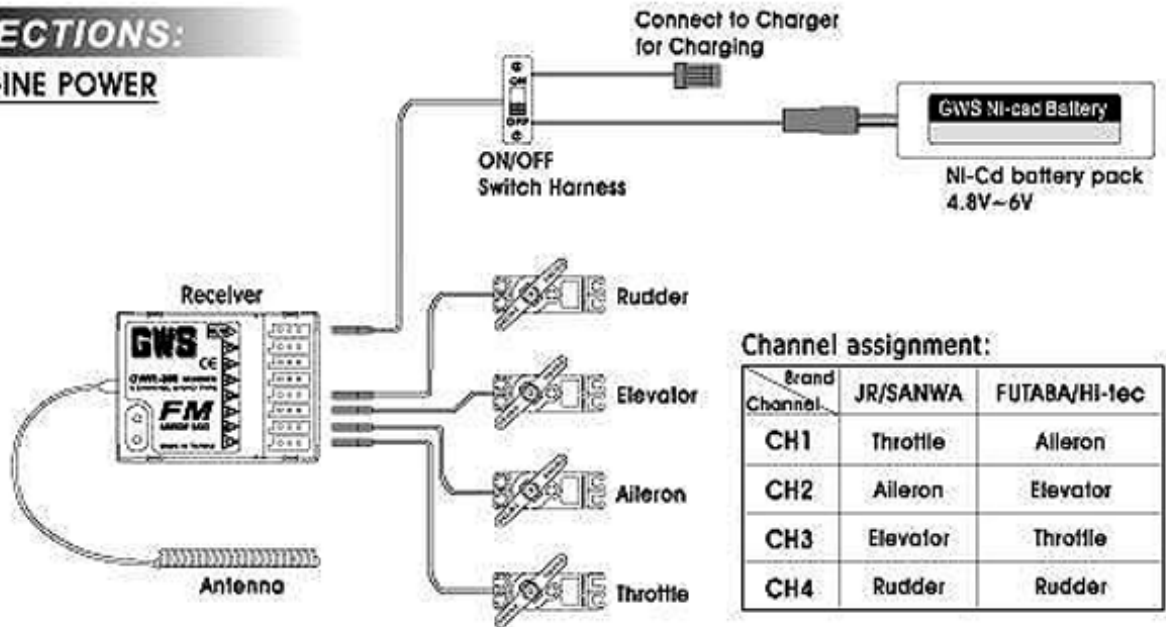


### 7 SERVO INSTALLATION:

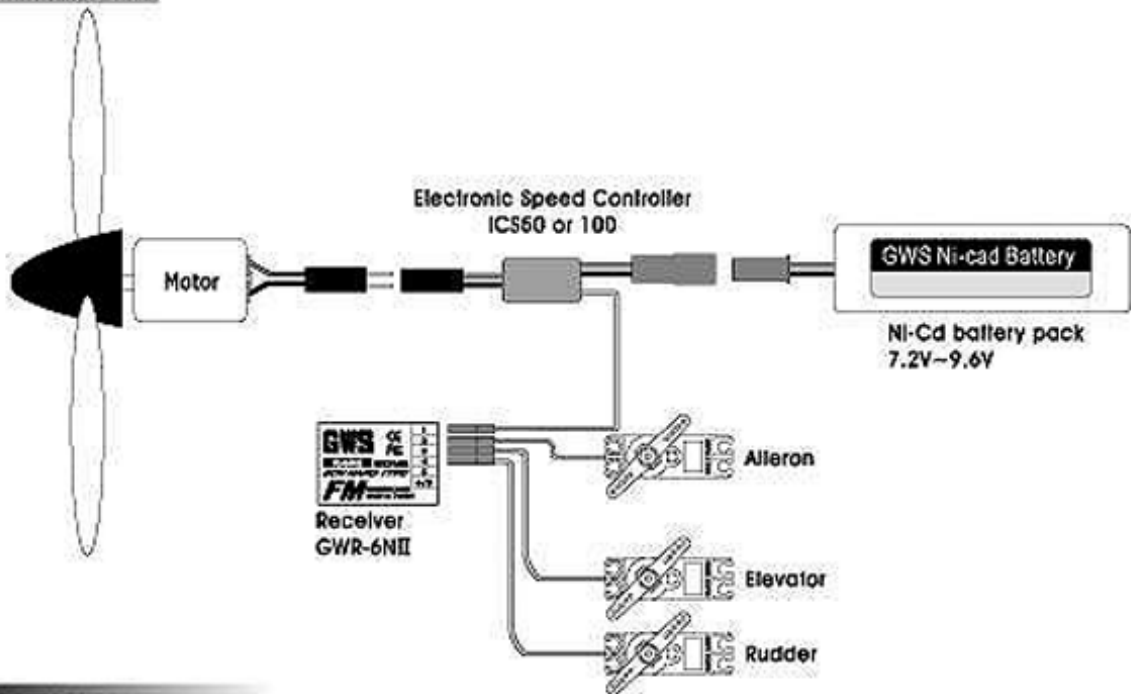


### GWT-4A II MANUAL

#### 8 CONNECTIONS: FOR ENGINE POWER



#### FOR ELECTRIC POWER



#### 9 PRECAUTIONS:

- Do not fly simultaneously on the same frequency.
- Extend the antenna to its full length, Always carry out a range check prior to flight.
- Always turn the transmitter on first, then the receiver. When you turn the system off, always turn the receiver off first then transmitter.

This step is very important always follow this procedure. If this procedure is not followed, injury to yourself and others as well as loss of control could occur.